

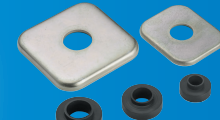
Hybrid Mat

# TSM Series

No.1 vibrational absorption in industry.



Plate (optional)



Rubber bush

## Benefit

- Easy construction
- Vibration proof device made of rubber and spring
- Thin design and high performance

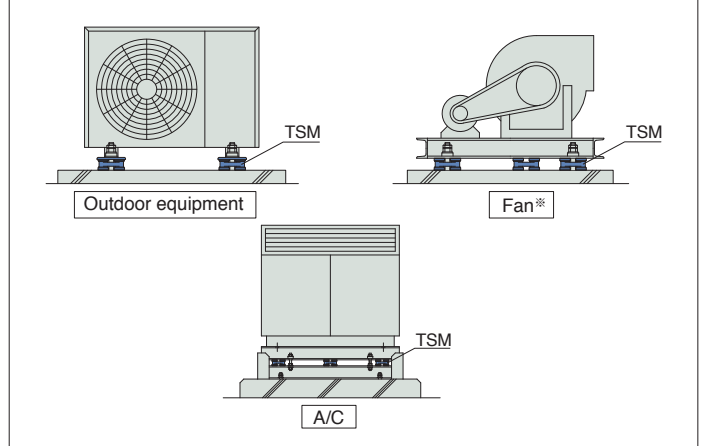
## Feature

- Compact/thin design with excellent vibration isolating performance.
- Both rubber and metal springs are used that brings great vibrational absorption effects.
- Weather resistance rubber is suitable for outdoor use

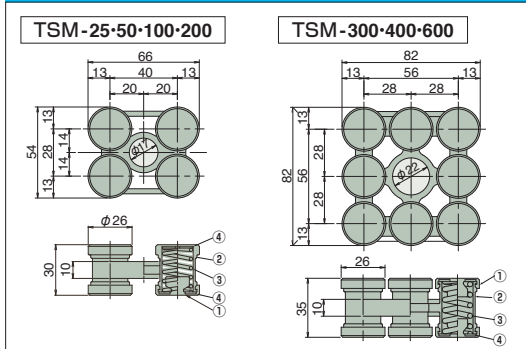
## Applications

Used as supporting device of vibration proof for pump, A/C, fan, electric motor, compressor, horizontal piping, fan coil unit, package A/C. (\*Some fans may not be applied because of its specifications)

## Typical applications



## Structure and dimension



Type	Spring constant N/mm(kgf/mm)	Load range of usage N (kgf)	Natural frequency Hz
<b>TSM-25</b>	35.3 (3.6)	108~245 (11~25)	9.0~6.0
<b>TSM-50</b>	69.6 (7.1)	216~490 (22~50)	9.0~5.9
<b>TSM-100</b>	137 (14)	441~981 (45~100)	8.8~5.9
<b>TSM-200</b>	284 (29)	883~1961 (90~200)	8.9~6.0
<b>TSM-300</b>	422 (43)	1324~2942 (135~300)	8.9~6.0
<b>TSM-400</b>	559 (57)	1765~3923 (180~400)	8.9~5.9
<b>TSM-600</b>	843 (86)	2648~5884 (270~600)	8.9~6.0

※ It is recommended that median usage load range should be considered when you choose the product. When using around the maximum value in capable usage load range, the product may look shrink. In this case, the product performance is perfectly acceptable.

Number	Name	Material	Number	Name	Material
①	Cap	Synthetic rubber	③	Spring	Hard steel wire
②	Rubber itself	Synthetic rubber	④	Metal fittings	SS400

- Please be considered to allocate vibration control device such as safety device against overturning

Rubber bush / Plate (optional)

■ Rubber bush dimension

Type	φD1	φD2	φd	t1	t2
TB-10 (For M10)	26	12	10.5	8	5
TB-12 (For M12)	28	14	12.7	8	5
B-16 (For M16)	36	20	17	8	5
B-20 (For M20)	40	25	21	8	5
WT-10 (For M10)	30	11.5	10.5	6	4
WT-12 (For M12)	35	14	13	6	4

Material: Synthetic rubber

■ Plate dimension

Type	L	W	φd	T	t
PL-01 (TSM-25~For 200)	68	56	22	5	2
PL-02 (TSM-300~For 600)	85	85	27	8	3

Material: SS400 Hot dip galvanized coating

High-strength bolt (optional)

■ Attachment bolt for pedestal Dimension

Type	Bolt diameter	Overall length(L)
HBS-12	M12	90mm
HBS-16	M16	110mm

Material: SCM435 (Strength classification 10.9 More than)

■ Chemical anchor bolt Dimension

Type	Bolt diameter	Overall length(L)
KBS-12	M12	200mm
KBS-16	M16	220mm

Material: SNB7 (Strength classification 8.8 More than)

Liner plate (optional)

■ For level adjustment liner plate dimension

Type	t	Vibration control product supported optional	Unit
PLL-0110	1.0	TSM-25~200	10Sheet/1Packed
PLL-0115	1.5	TSM-25~200	10Sheet/1Packed
PLL-0210	1.0	TSM-300~600	10Sheet/1Packed
PLL-0215	1.5	TSM-300~600	10Sheet/1Packed

Material: SUS304

## Handling instructions

- Please note that the product must be avoided adhesion such as strong acid, strong alkali, organic solvent, fat and oil.
- Please be sure to attach the device with equable loading to compression direction
- Please make sure to use the device within a given load range.
- The product must be protected from spark like welding.

This brochure may be revised without prior notice. We apologize in advance for any inconvenience this may cause.

Agent

**TOZEN Corporation**  
8-4, Asahi, Yoshikawa  
Saitama 342-0008 Japan

